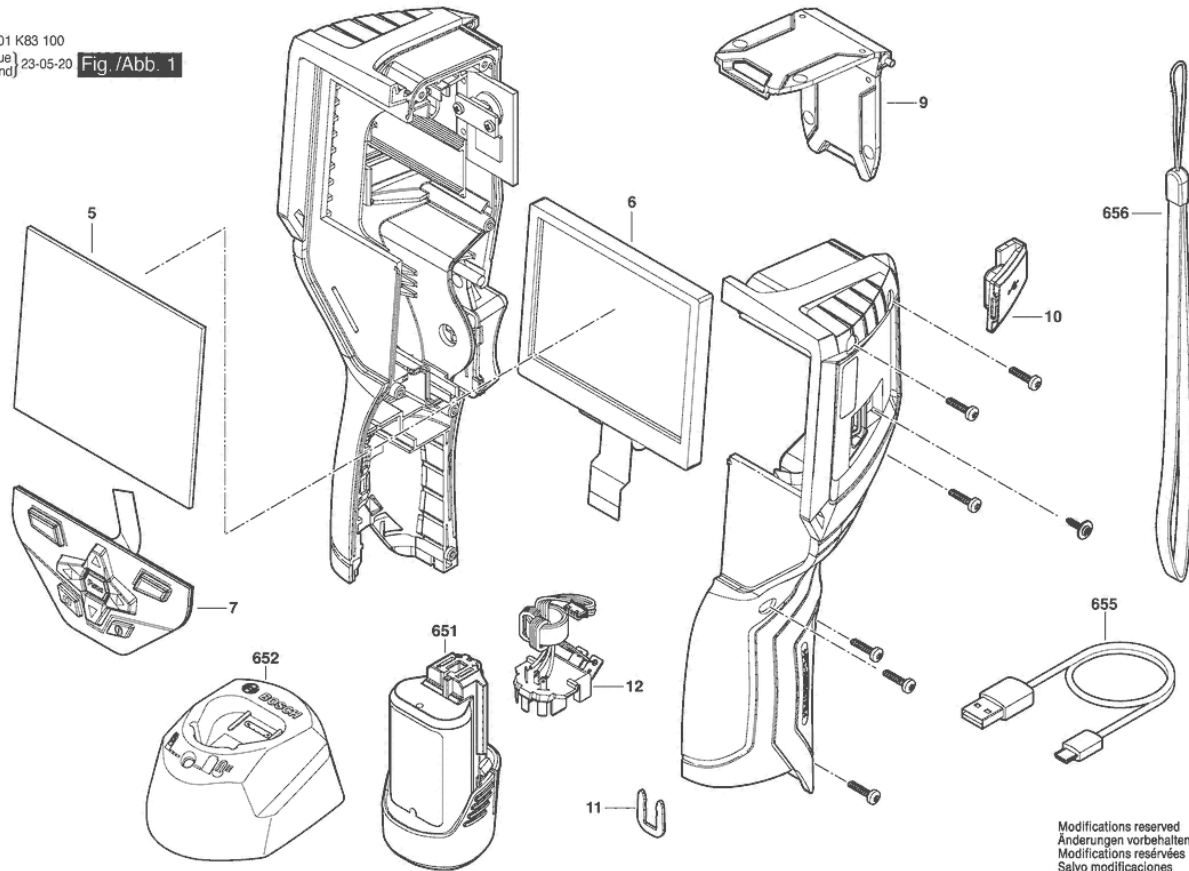


Illustration - Type - E

3 601 K83 100
Issue | 23-05-20
Stand | Fig./Abb. 1



Spare parts list

Item	Part Number	Description	Illustration
5	1 600 A00 S47	Protective Glass	1
6	1 600 A00 S48	Display	1
7	1 600 A00 S46	Keyboard	1
9	1 605 500 2CR	Cover	1
10	1 600 A00 Z77	Cover	1
11	2 609 110 838	Clip	1
12	1 600 A01 5X5	Cable Connector	1
651	1 607 A35 0C5	Battery Pack GBA 12V 2.0AH LI SCM	1
652	2 607 226 219	Fast Charger EU GAL 12V-40	1
652	2 607 226 221	Fast Charger GAL 12V-40 220V-240V 10,8-12V 4A	1
656	1 600 A01 4BT	Carrying Loop	1